

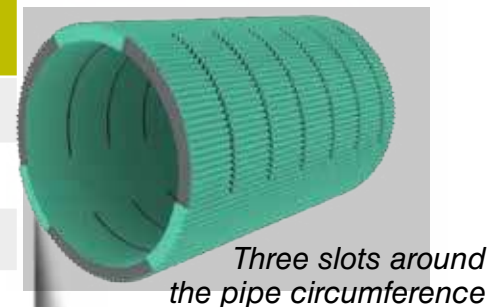
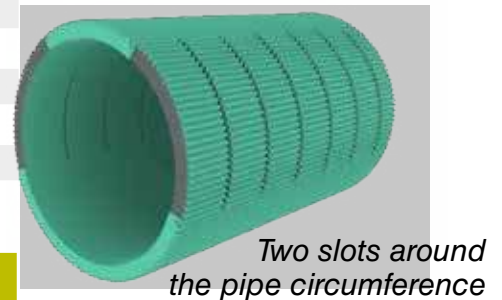
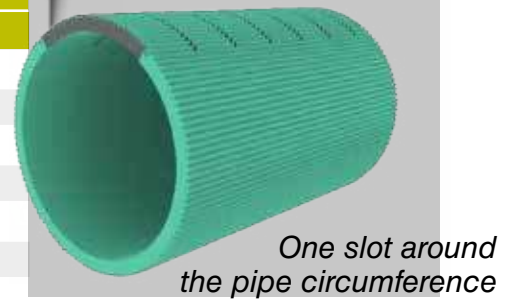
## RFS DURVINIL DRAINAGE PIPES

Drainage slotted pipes can be used when excess of water in the soil causes softening or degradation of its mechanical characteristics. The pipes made of rigid PVC can stand all kind of underground water as well as seawater and acid or alkaline diluted solutions.

### RFS AVAILABLE DIAMETERS

Nominal Diameter [mm]	Inner Diameter [mm]	Outer Diameter [mm]
½"	16	22
1"	27	34
1¼"	31	38
1½"	43	50
2"	52	62
2" A	55	62
2½"	66	77
2½" A	69	77
3"	79	90
3" A	82	90
3½"	91	100
4"	105	118
4" A	108	118

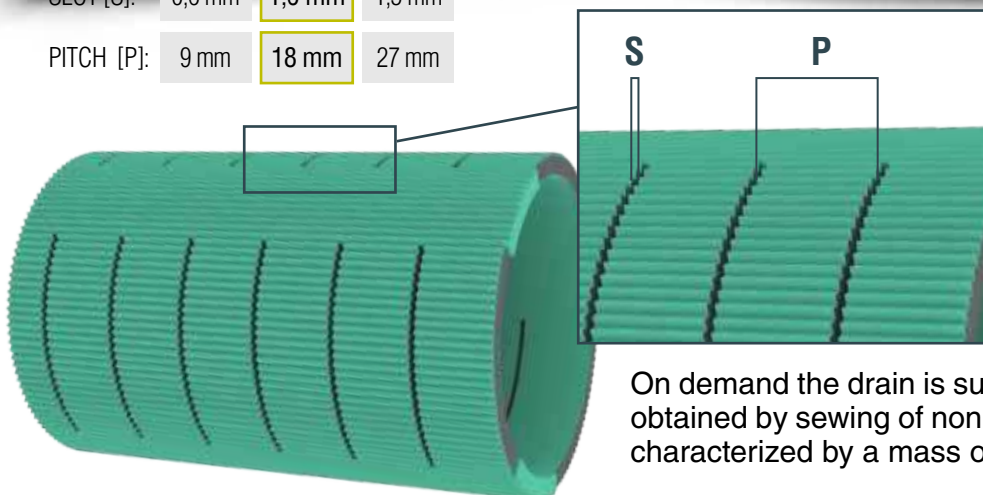
### SLOTS POSITION



### SUGGESTED DRAIN ACCORDING TO THE DRILLING DIAMETER

Drilling Diameter [mm]	RFS Drainage Pipe Diameter
90 – 130	FROM 1" TO 2"
130 – 160	FROM 2" TO 3"
160 – 200	FROM 3" TO 4"

SLOT [S]:	0,6 mm	1,0 mm	1,5 mm
PITCH [P]:	9 mm	18 mm	27 mm



DURVINIL® RFS drainage pipes are produced with slots having width and pitch variable according to the requested drainage capacity and to the soil granulometry.

On demand the drain is supplied with the filter sock obtained by sewing of non-woven polypropylene geotextile, characterized by a mass of 130 g / m<sup>2</sup>